

PlastiPole™ Installation Guide



BasePlate Model



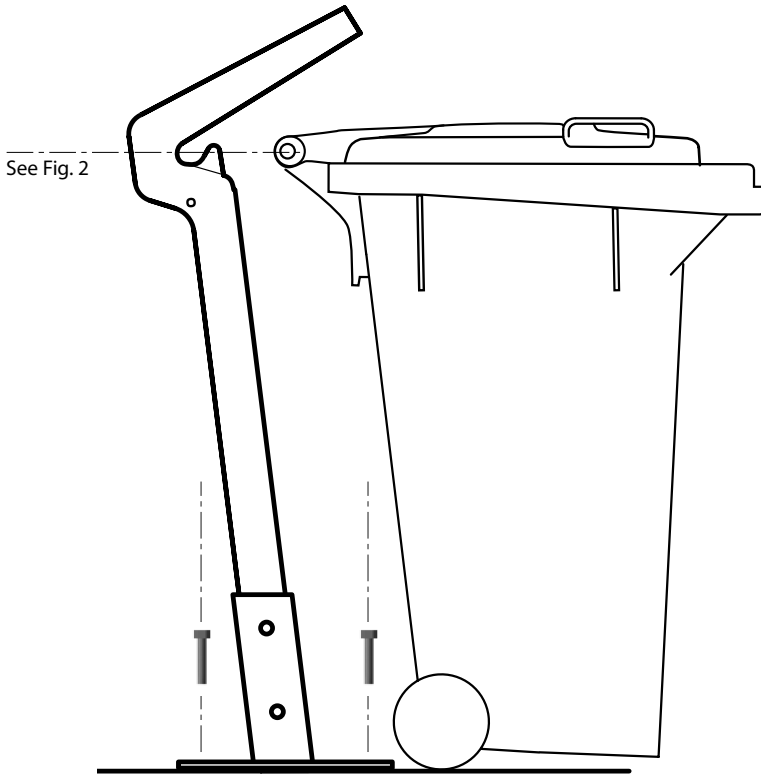
For the SlamLock system to work correctly, it is critical that the PlastiPole is installed at the correct height (see Figure 2).



The MGB handle must not rest against the Pawl Release Trigger (see Figure 2).



Be sure to recycle your off-cut.



See Fig. 2

Figure 1

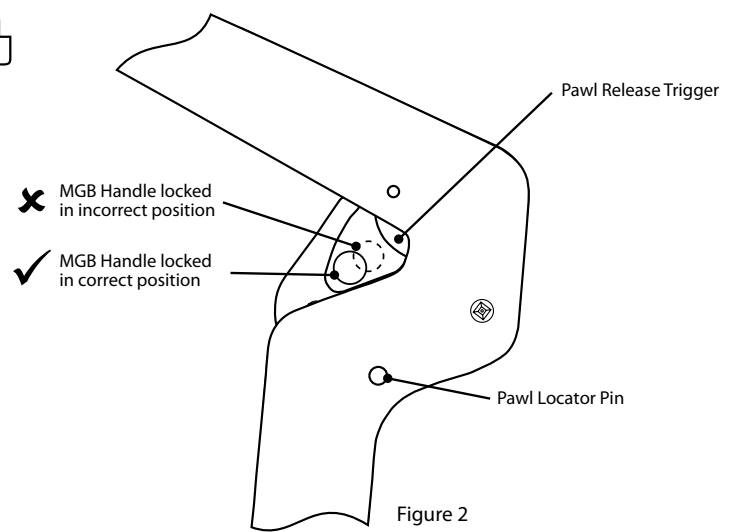


Figure 2

To install the BasePlate model you will need:

1. Hammer drill.
2. 4 x 10mm dyna bolts.
3. Wrench to suit dyna bolts.
4. 1 x 10mm masonry drill bit.
5. 2 x 80mm x 10mm nut & bolt.
6. Cutting saw.

Step 1 - Cut the PlastiPole to length

Identify your bin brand and size to be secured, then using the Depth Chart below, measure the correct distance from the bottom of the pawl locator pin (as shown in fig. 2) and cut.

DEPTH CHART (mm)			
BIN SIZE	SULO	NYLEX	MASTEC
120L	785	785	785
140L	805	805	805
240L	905	905	905

Step 2 - Install the Base Plate

To install, simply place BasePlate at desired location, drill 4 holes through the locator slots in the BasePlate, insert 4 x 10mm dyna bolts and tighten.

Step 3 - Fit the PlastiPole to BasePlate

Once the BasePlate is installed simply slide the PlastiPole into it, drill through the locating holes on each side and insert 2 x 80mm bolt. May be a firm fit.

For best results, use Cosset TriLobe key.

Part # Cosset-PL-TR.

Cutting Tips

The material can be cut using the same equipment used for handling timber components. Tools must be sharp and eye and hearing protection must be worn. Cutting is best done with a circular saw using a blade with as few teeth per inch as is available. A handsaw can also be used.

PlastiPole™ Installation Guide



Spigot Model



For the SlamLock system to work correctly, it is critical that the PlastiPole is installed at the correct height.

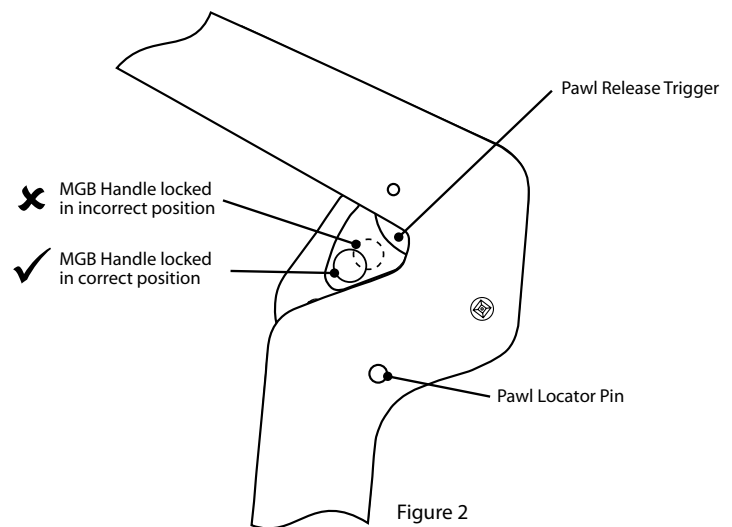
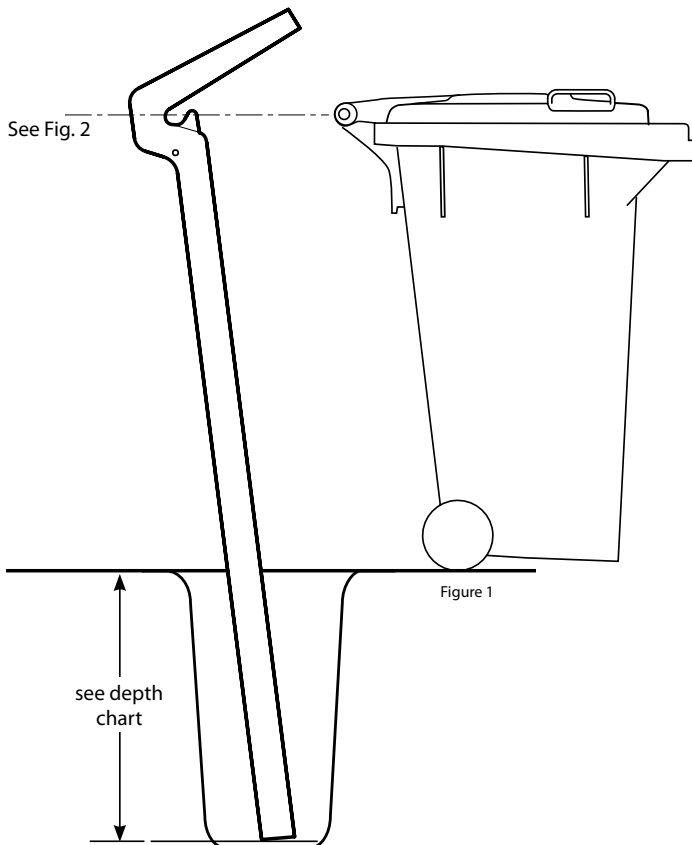


Do not hang the PlastiPole off of the MGB during installation.



Be sure to recycle your off-cut.

The MGB handle must not rest against the Pawl Release Trigger (see Figure 2).



The PlastiPole is designed to be installed on an angle, following the contour of the rear of the bin (see Figure 1).

To install the Spigot model you will need:

- 1) 1 x Hand auger.
- 2) 1 x bag quick set concrete.
- 3) 3 metres of wire or rope.
- 4) Access to water.
- 5) 1 x MGB (Mobile Garbage Bin) that is to be secured.
6. Cutting saw.

DEPTH CHART* (mm)			
BIN SIZE	SULO	NYLEX	MASTEC
120L	615	615	615
140L	600	600	600
240L	480	480	480

* approximate depths only

Step 1 - Dig the hole

Simply dig a hole using hand auger to correct depth. Refer to Depth Chart below.

Step 2 - Install the PlastiPole

Once the desired depth is reached, tie the PlastiPole to the MGB as it would be in the "locked" position, using either wire or rope.

Once the correct position is finalised, pour quick set concrete and water into hole and allow to set. Once concrete has set, the wire or rope can then be removed and your PlastiPole has been successfully installed.

For best results, use Cosset TriLobe key.

Part # Cosset-PL-TR.