

Product Information

ECO-PIPE HEADWALL

100% RECYCLED PLASTIC

FEATURES & SPECIFICATIONS

The **Eco-Pipe Headwall** is made from 100% recycled plastic, suitable for 250mm, 300mm, 375mm and 450mm **Eco-Pipe**.

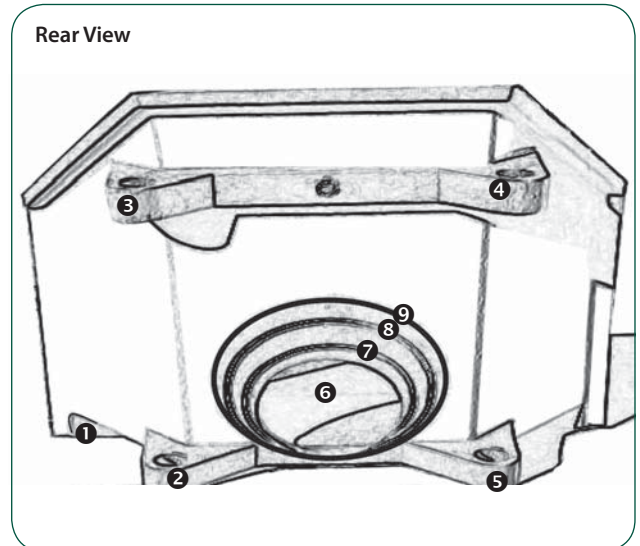
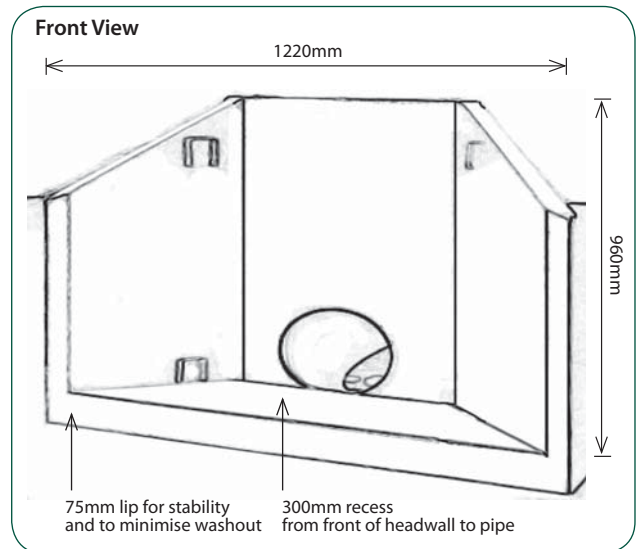
Manufactured with a standard 250mm hole, Cosset have included indents for larger pipes that can be easily removed to fit larger sizes. We recommend a commercial jigsaw fitted with a coarse tooth (wood) blade for easiest removal of the indents.

The **Eco-Pipe Headwall** offers the same advantages of the **Eco-Pipe** with ease of handling, reduced machinery usage and real savings through installation cost reduction. The problem of difficult access installations is resolved.

The **Eco-Pipe Headwall** weighs in at just 60kg and is easily handled by a couple of people without risk of injury. Multiple units are simply loaded and transported on light vehicles then comfortably off loaded on site, without the need for heavy lifting equipment. (Cosset recommends Workcover endorsed safe lifting techniques be used at all times.)

The **Eco-Pipe Headwall** has a minimum 20-year UV warranty, star picket lugs for stabilization when installing and a 75mm front lip that aids stability and combats washout under the face of the headwall.

The quality, durability and ease of handling make **Eco-Pipe Headwall** an excellent alternative to traditional headwalls.



- ① 75mm lip to prevent wash out under headwall
- ② ③ ④ ⑤ Starpicket stabilising plugs
- ⑥ Pilot hole to suit 250mm pipe
- ⑦ Indent for 300mm cut out
- ⑧ Indent for 375mm cut out
- ⑨ Indent for 450mm cut out