

Technical Specifications

ASHCAN

Primary Application

The easy to use **Ashcan** can be ordered in any colour scheme to suit public open space, institutions and commercial facilities.

It's main benefit to end-users lies in its unique quick release system for easy emptying. Double insulated from the mounting surface, powder coated and finished to a high standard the **Ashcan** is safe and robust. Design features eliminate updraft ash litter and encourage public usage reducing unsightly cigarette litter.

The **Ashcan's** versatile and rugged mounting system has proven easy to install and impervious to vandalism over many years of operation in the harshest conditions. The stainless steel butting plate provides for easy butt disposal whilst being easy to clean even after years of use.

The **Ashcan** is an economical, easy to use product that passively reduces litter and assists organisations reduce their environmental footprint. These features combined with a faultless track record make the Ashcan the right choice for any landscape.

Features

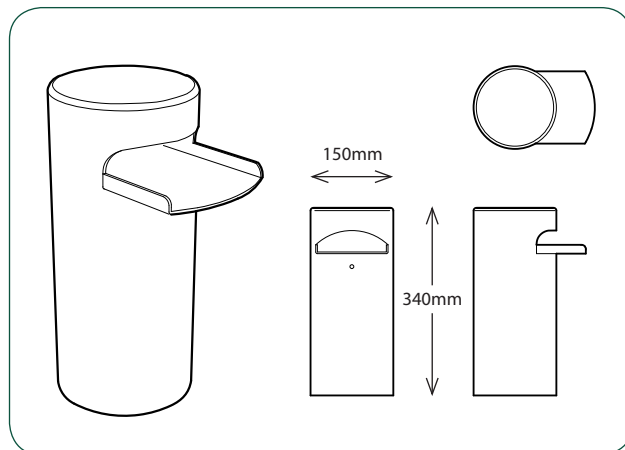
- Corporate logos can be applied during manufacture to uniquely identify ashcan.
- A powder coated one piece body ensures a strong and well presented ashcan to complete your project with style.
- Unique quick release system makes emptying easy and fast.
- Stainless steel butting plate is long wearing and easy to use.
- Draft-proof litter bucket means ash stays inside the ashcan in windy conditions.
- Drip proof litter bucket ensures fast, residue free emptying every time.
- Curved edges and safety first design reduces liability operators are exposed to.
- Can be easily retrofitted to existing ashcan site due to small mounting area required.
- High visibility draws smoker's attention to butt disposal system prior to the butt being dropped on the ground, preventing butts entering storm water systems reducing environmental footprint.
- Ashcan supplied standard with Cosset's unique "theft proof" mounting plate system for quick installation.

Options

- Available in any colour (minimum run is one unit)
- Finish available in mild steel (MS) stainless steel slimline (SL) or stainless steel high traffic (SM)



© Cosset Industries Australia Pty Ltd



Models

Model Code (AC)
Finish Type (FT)
Mild Steel (MS)
Stainless Steel Slimline (SL)
Stainless Steel High Traffic (SM)
Colours (CC)
On mild steel specify powder coat colour by word or by Pantone Colour Matching System.
Weight
 3kg

Example :

Cosset-AC-SL
 Ashcan Stainless Steel Slimline

Example :

Cosset-AC-MS-243
 Midsteel Ashcan powder coated in pantone green 243

How To Specify :

