

Technical Specifications

ECO-T-BENCH

COMBINING 100% RECYCLED PLASTIC LEGS WITH EVERTUFF™ SLATS

Primary Application

Unlike timber, the **Eco-T-Bench** will never rot or need a lick of paint. In fact, this recycled plastic bench will still look the same in 10 years. During that time it will have provided a good looking, maintenance free, non-toxic and comfortable seating position.

Cosset's **Eco-T-Bench** is the typical Aussie all rounder. Tough, and resistant to splintering, the **Eco-T-Bench** will never let you down. At Cosset we understand that in public places people, particularly children, climb all over and under street furniture, so with this in mind the **Eco-T-Bench** is designed to maximise safety.

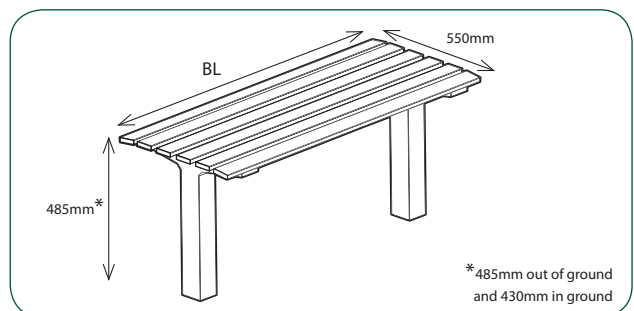
Join the growing list of satisfied specifiers and others responsible for purchasing in making the easiest specification decision on your project. For your projects seating requirements, specify Cosset's **Eco-T-Bench**.

Features

- Aesthetic, robust and well priced.
- Can be flat packed which reduces freight costs.
- Corrosion, white ant and termite resistant.
- Splinter free.
- Crack free.
- Legs manufactured from 100% recycled plastic.
- Uses Evertuff™ 75mm x 45mm extruded bench slats
- UV stabilised material guarantees an extremely long life and product appearance.
- Each Eco-T-Bench prevents rubbish entering landfill and thus organisations participate in reducing their environmental footprint.

All about Extruded Profiles

Cosset's **Evertuff™ 98% Recycled Wood Plastic Composite Extruded Profiles** are a breakthrough for recycling and a win for reducing landfill. Using new technology, recycled plastic is compounded with waste wood and then continuously extruded through a die-cut profile – meaning it can be produced in any length up to 3000mm. The result is a far more cost effective and considerably stronger section than 100% recycled plastic alone.



ECO-T-BENCH

Options

- Available in standard charcoal only
- The height installed can be varied
- Can be supplied flat packed or assembled
- Can be supplied at 1400mm with 2 legs, or 1800mm with 3 legs

Models

Model Code (PF) Park Furniture

Length (BL) Standard lengths 1400mm or 1800mm

D Chart

D-Code	Length (mm)	Width (mm)	Height Installed (mm)	Weight Per Unit (kg)
ETB	1400	550	485mm	53.5
ETB	1800	550	485mm	80.25

How To Specify :

